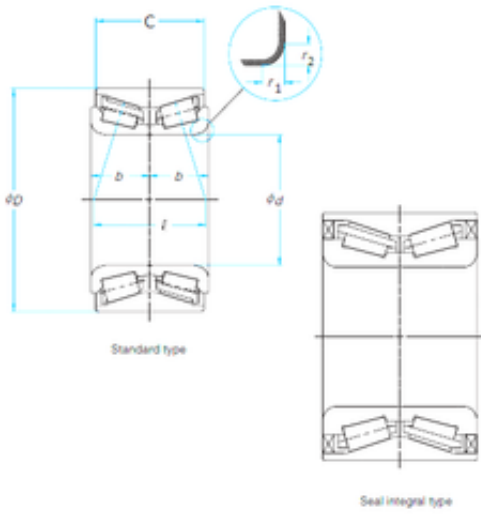




RC Bearing Ltd

Wheel Bearing Rear Timken 513001

Bearing No. 513001



Size	25x52x37 mm
Bore Diameter	25 mm
Outer Diameter	52 mm
Width	37 mm
d	25 mm
D	52 mm
B	37 mm
C	37 mm

513001 Bearing 2D drawings and 3D CAD models