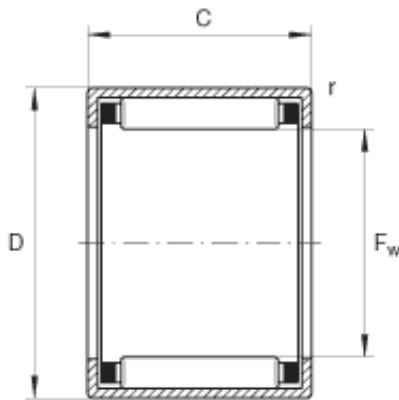




RC Bearing Ltd



HK2220 Bearing 2D drawings and 3D CAD models

INA HK2220 NEEDLE ROLLER BEARINGS

Bearing No. HK2220

Size	22x28x20 mm
Bore Diameter	22 mm
Outer Diameter	28 mm
Width	20 mm
F_w	22 mm
D	28 mm
C - 20 mm / Tolerance: -0,3	20 mm / Tolerance: 0,3
r_{min}	0,8 mm
m	26 g / Weight
C_r	16500 N / Dynamic load rating (radial)
C_{Or}	29000 N / Static load rating (radial)
C_{ur}	3850 N / Fatigue limit load, radial
n_G	11700 1/min / Limiting speed
n_B	7900 1/min / Reference speed
	IR17X22X23 / Suitable inner ring
Category	Needle Non Thrust Roller Bearings
Inventory	0.0
Manufacturer Name	SCHAEFFLER GROUP
Minimum Buy Quantity	N/A
Weight / Kilogram	0.026
EAN	4012802445978



RC Bearing Ltd

Product Group	B04144
Rolling Element	Needle Roller Bearing
Component	Roller Assembly with Outer Ring - No Inner Ring
Enclosure	Open
Self Aligning	No
Retainer	Yes
Number of Rows of Rollers	Single Row
Separable	No
Closed End	No
Inch - Metric	Metric
Relubricatable	No
Thrust Bearing	No
Long Description	22MM Bore; 28MM Outside Diameter; 20MM Width; Needle Roller Bearing; Roller Assembly with Outer Ring - No Inner Ring; Open; Not Self Aligning; Retainer; Single Row of Rollers; Not Separable; Not Close
Other Features	2 Rib Outer Ring Drawn Cup Bearing Steel Cage
Category	Needle Non Thrust Roller Bearing
UNSPSC	31171512
Harmonized Tariff Code	8482.99.65.30
Noun	Roller Assembly with Outer Ring
Keyword String	Bearing Needle
Manufacturer URL	http://www.ina.com
Manufacturer Item Number	HK2220
Weight / LBS	0.057
Bore	0.866 Inch 22 Millimeter
Width	0.787 Inch 20 Millimeter



RC Bearing Ltd

Outside Diameter	1.102 Inch 28 Millimeter
------------------	----------------------------